
Comfort-Cire® **Century**®

SE Series

Two Stage Multi-Position Gas Furnace 96%

SGF96T100C5S1A

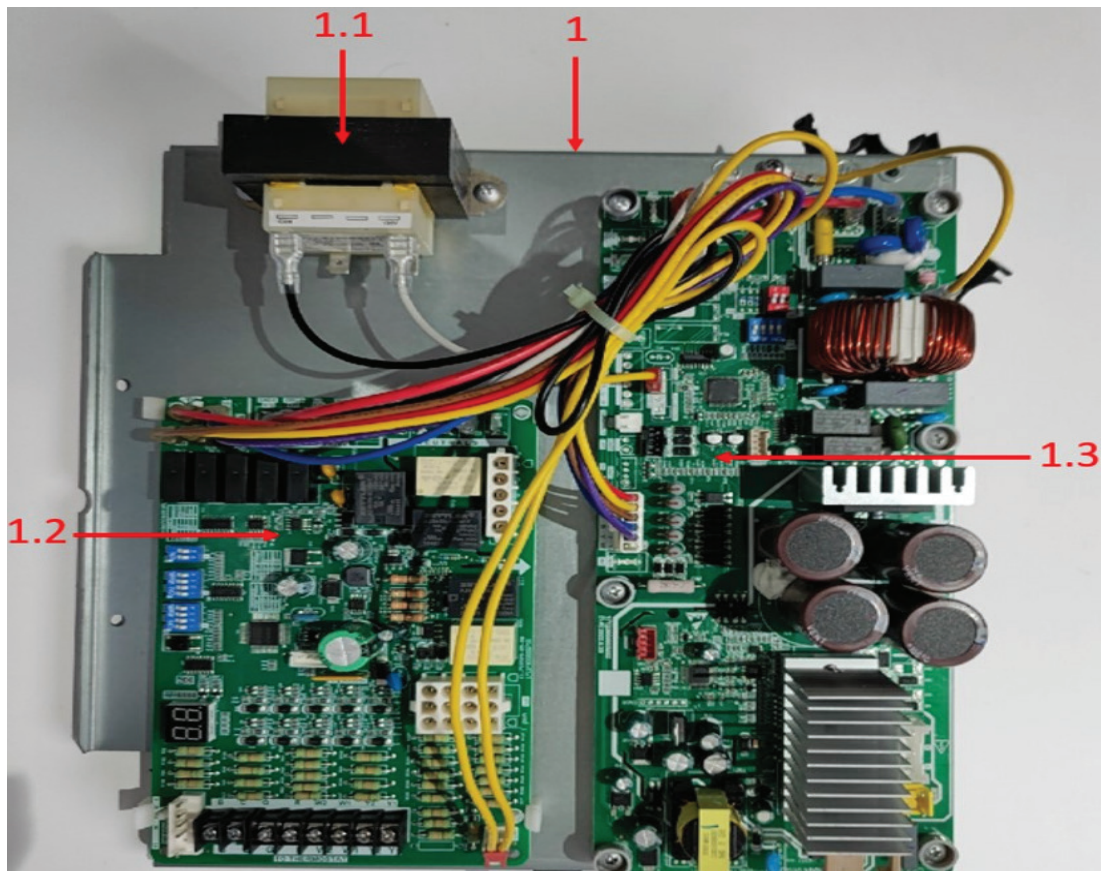
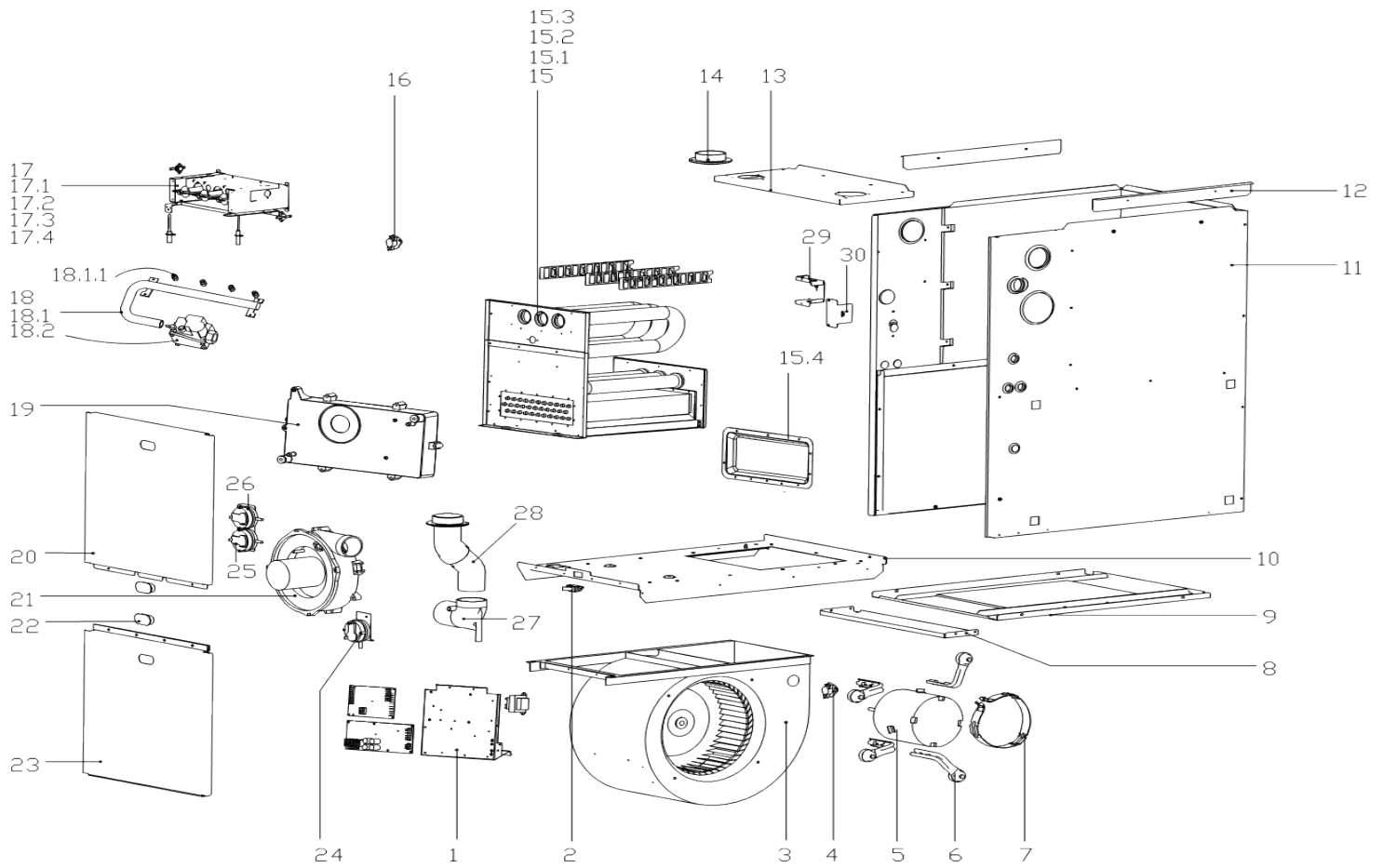
Parts List



MARS®

SGF96T100C5S1A Parts List

Two Stage Multi-Position Gas Furnace



EX_ID	Spare Parts Code	Part Name(EN)	Qty.
1	17227600002143	E-part box assembly	1
1.1	11203103000197	Linear Transformer	1
1.2	17127600001869	Gas furnace, Main control board assembly	1
1.3	17127600001868	Gas furnace, Main control board assembly	1
2	17427600001148	Door Switch	1
3	12200102000031	Centrifugal Fan	1
4	17400513000874	Thermostat	2
5	11002015016398	Brushless DC Motor	1
6	12223000001933	Motor Holder Assembly	4
7	12223000001993	Motor Holder	1
8	12227600003214	Support Plate	1
9	12227600000819	Blockoff Plate Assembly	1
10	12227600004601	Partition Plate Assembly	1
11	12227600004645	Cabinet assembly	1
12	12227600000274	Support Bar Assembly	2
13	12227600003208	Cover assembly	1
14	12127600000010	Connector	1
15	15727100000710	Heat exchanger assembly	1
15.1	15727600000013	Tube Components	1
15.2	15827600000051	Secondary heat exchanger assembly	1
15.3	12227600000059	Spoiler	5
15.4	12227600000235	Gas Collecting Cover	1
16	17400513001114	Thermostat	1
17	12227600001402	Burner Assembly	1
17.2	17427600000007	Lgnition Needle	1
17.3	11201006000010	Special Sensor	1
17.4	17427600000004	Burner	5
18	15427600000061	Gas Pipe Assembly	1
18.1	15427600000006	Gas Pipe Assembly	1
18.1.1	15527600000001	Copper Nozzle	5
18.2	17427600001389	Gas Valve	1
19	12127600000932	Drainage pan assembly	1
20	12227600003205	Cover assembly	1
21	17400801010488	Exhaust fan components	1
22	12127600000009	Transparent Plastic Cover	2
23	12227600003219	Cover assembly	1
24	17400515000016	Air Differential Pressure Switch	1
25	17400515000420	Air Differential Pressure Switch	1
26	17400515000421	Air Differential Pressure Switch	1
27	12127600000015	Smoke Exhaust Elbow	1
28	12127600000016	Smoke Exhaust Pipe Joint Assembly	1
29	12227600000818	Junction Box	1
30	12227600000817	Junction Box Cover	1

Due to ongoing product improvements, specifications and dimensions are subject to change and correction without notice or incurring obligations. Determining the application and suitability for use of any product is the responsibility of the installer. Additionally, the installer is responsible for verifying dimensional data on the actual product prior to beginning any installation preparations.

Incentive and rebate programs have precise requirements as to product performance and certification. All products meet applicable regulations in effect on date of manufacture; however, certifications are not necessarily granted for the life of a product. Therefore, it is the responsibility of the applicant to determine whether a specific model qualifies for these incentive/rebate programs.

Comfort-Cire[®]  **Century**[®]

1900 Wellworth Ave., Jackson, MI 49203 • Ph. 517-787-2100 • www.marsdelivers.com

